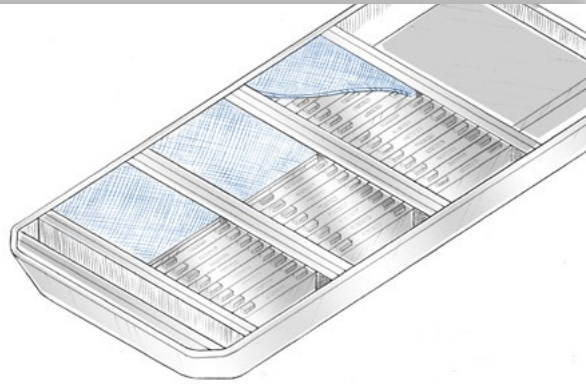


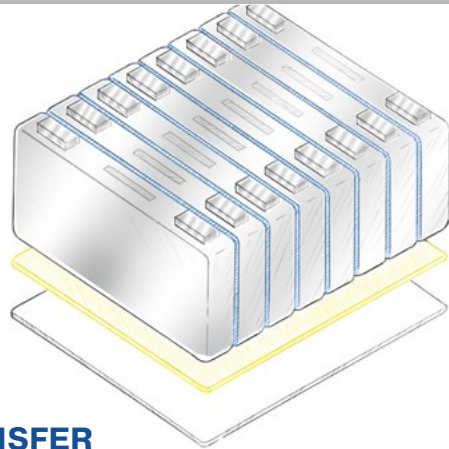
CONVERTED MATERIAL SOLUTIONS TO PROMOTE ELECTRIC VEHICLE **SAFETY, PERFORMANCE, ENERGY EFFICIENCY & COMFORT.**

**Applications for Die-Cut
Parts in and around the
Battery Pack**



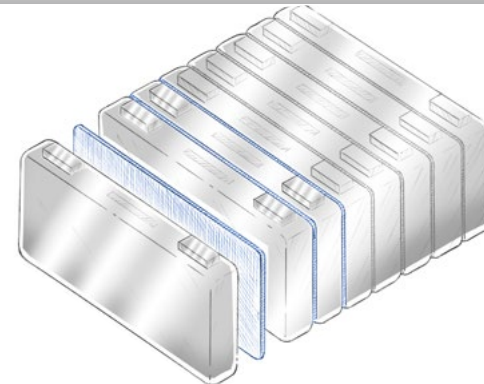
REDUCE NVH ISSUES

Take advantage of cushioning foams to protect BEV components, mitigate unwanted sound, and prevent damage caused by uncontrolled vibrations.



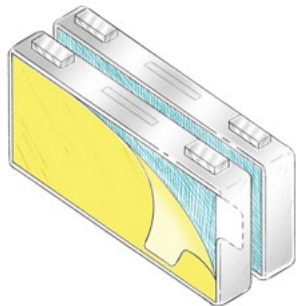
TRANSFER UNWANTED HEAT

Use custom die-cut gap pads to create a thermal path between the cells or module and the heat sink.



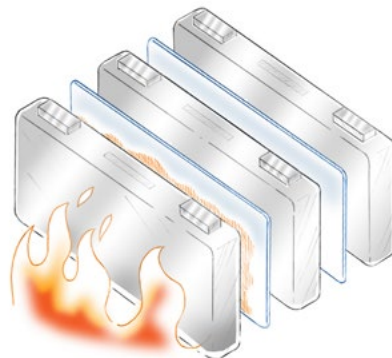
PROTECT SENSITIVE CELLS

Leverage JBC's diverse converting capabilities to laminate materials together and die-cut to shape for optimum thermal and compression performance.



BOND CELLS AND OTHER COMPONENTS

Choose from a variety of single and double-coated flame retardant tapes—custom die-cut with pull tabs for easy assembly in your automated process.



MITIGATE THERMAL RUNAWAY

Turn to JBC for single or multi-layer high compression pads designed to minimize negative thermal effects on neighboring cells.



SEAL OUT ENVIRONMENTAL CONTAMINANTS

Prevent the ingress of environmental elements and dampen BSR and NVH with custom die-cut seals and gaskets.

JBC's sales, technical teams and process engineers have well over a century of experience helping OEMs and tier suppliers solve complex converting and material selection challenges—**converting their concepts into reality** one die-cut component at a time.



Contact Us Today

sales@jbc-tech.com

www.jbc-tech.com

440.387.4522

